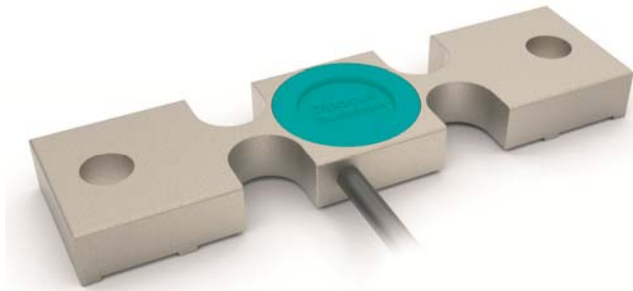
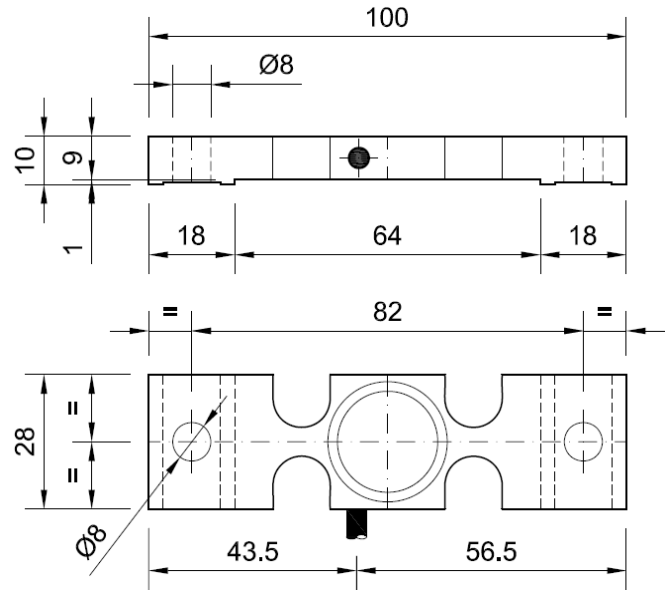


SV-3000



Deformation 3000 $\mu\epsilon$

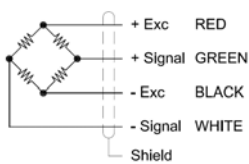
- Sensor designed for weighing depending on the deformations of steel beams in the motor bed frame or cabin frame.
- Easy to install and suitable for any type of beam.
- Application: load limitation on metallic structures, elevation systems (lifts, elevators, freight elevators...).



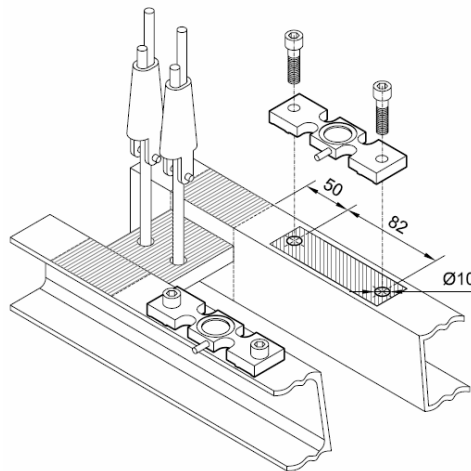
Dimensions in mm.

Installation diagrams

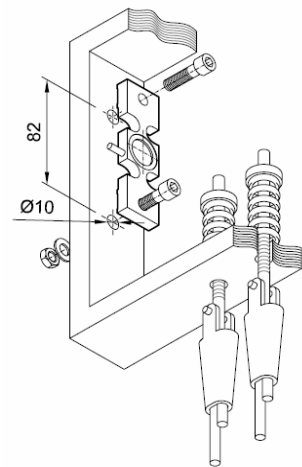
Wiring diagram cable



Optional USB connection



On the crosshead beam



Mounting on fixed point

Technical characteristics

Sensibility	2 mV/V @ 3000 $\mu\epsilon$	Output resistance	350 \pm 2 Ω
Tolerance adjust on zero	\pm 0.20 % mV/V	Minimum insulation resistance (V.Test = 100V)	4 G Ω
Maximum excitation voltage	12 V	Cable type	\varnothing 4 4x 0.14 mm ²
Accuracy	0.2 %	Cable length	6m.
Service temperature range	-20 ... 60 $^{\circ}$ C	Material	Alloy steel
Input resistance	350 \pm 2 Ω	Surface treatment	Chemical nickel